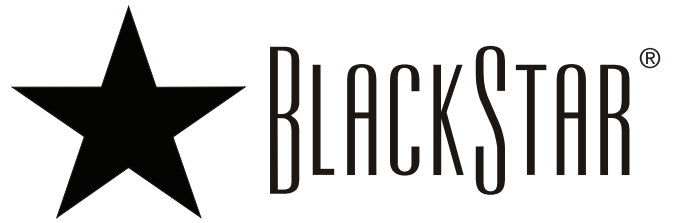
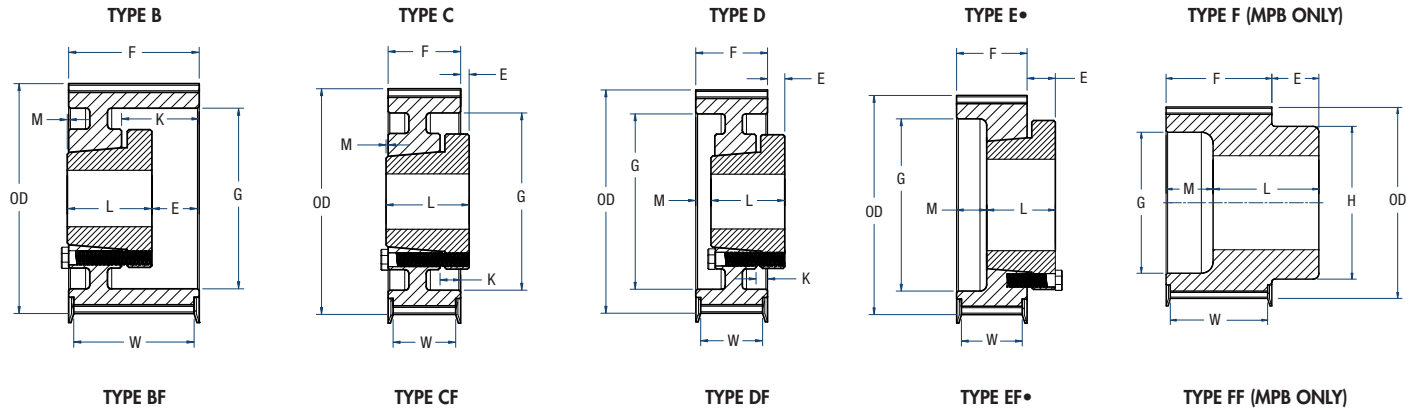


# HTD 5mm



## Timing Pulley 15mm Wide Belts



15mm (0.591 in) Wide Belts (5M-15)

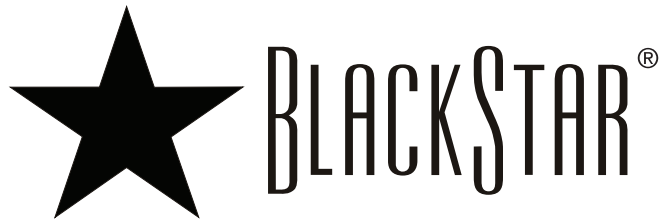
No. of Teeth	Catalog Number	Bore	Pitch	Diameter (in)		Type+	Max Bore	Dimensions (in)							Approx. Weight* (lbs)	
				O.D.	Flange			E	L	M	K	H	F	G		W
32	P32-5M-15-MPB	1/2	2.005	1.960	2.16	F1F	0.88	0.50	1.73	—	—	1.55	1.23	—	1.04	1.12
34	P34-5M-15-MPB	1/2	2.130	2.085	2.29	F1F	1.00	0.50	1.73	—	—	1.68	1.23	—	1.04	1.25
36	P36-5M-15-MPB	1/2	2.256	2.211	2.41	F1F	1.12	0.50	1.73	—	—	1.80	1.23	—	1.04	1.39
38	P38-5M-15-JA	JA	2.381	2.336	2.54	E1F•	1.25	0.67	1.00	0.44	—	—	1.23	1.34	1.04	0.80
40	P40-5M-15-JA	JA	2.506	2.461	2.66	E1F•	1.25	0.67	1.00	0.44	—	—	1.23	1.34	1.04	1.06
44	P44-5M-15-JA	JA	2.757	2.712	2.91	E1F•	1.25	0.67	1.00	0.44	—	—	1.23	1.34	1.04	1.40
48	P48-5M-15-JA	JA	3.008	2.963	3.16	B1F	1.25	0.23	1.00	0.00	0.67	—	1.23	2.36	1.04	1.20
52	P52-5M-15-JA	JA	3.258	3.213	3.41	B1F	1.25	0.23	1.00	0.00	0.67	—	1.23	2.62	1.04	1.43
56	P56-5M-15-SH	SH	3.509	3.464	3.66	D1F	1.68	0.08	1.25	0.06	0.42	—	1.23	2.86	1.04	1.64
60	P60-5M-15-SH	SH	3.760	3.715	3.92	D1F	1.68	0.08	1.25	0.06	0.42	—	1.23	3.12	1.04	1.83
64	P64-5M-15-SH	SH	4.010	3.965	4.16	D1F	1.68	0.08	1.25	0.06	0.42	—	1.23	3.37	1.04	2.16
68	P68-5M-15-SDS	SDS	4.261	4.216	4.41	C1F	2.00	0.08	1.31	0.00	0.48	—	1.23	3.50	1.04	2.48
72	P72-5M-15-SDS	SDS	4.511	4.466	4.66	C1F	2.00	0.08	1.31	0.00	0.48	—	1.23	3.75	1.04	2.84
80	P80-5M-15-SDS	SDS	5.013	4.968	—	C1	2.00	0.08	1.31	0.00	0.48	—	1.23	4.25	1.04	3.61
90	P90-5M-15-SDS	SDS	5.639	5.594	—	C1	2.00	0.08	1.31	0.00	0.48	—	1.23	4.88	1.04	4.69
112	P112-5M-15-SDS	SDS	7.018	6.973	—	C2	2.00	0.08	1.31	0.00	0.48	—	1.23	6.05	1.04	6.02

\*Weight shown is for sprocket less bushing.

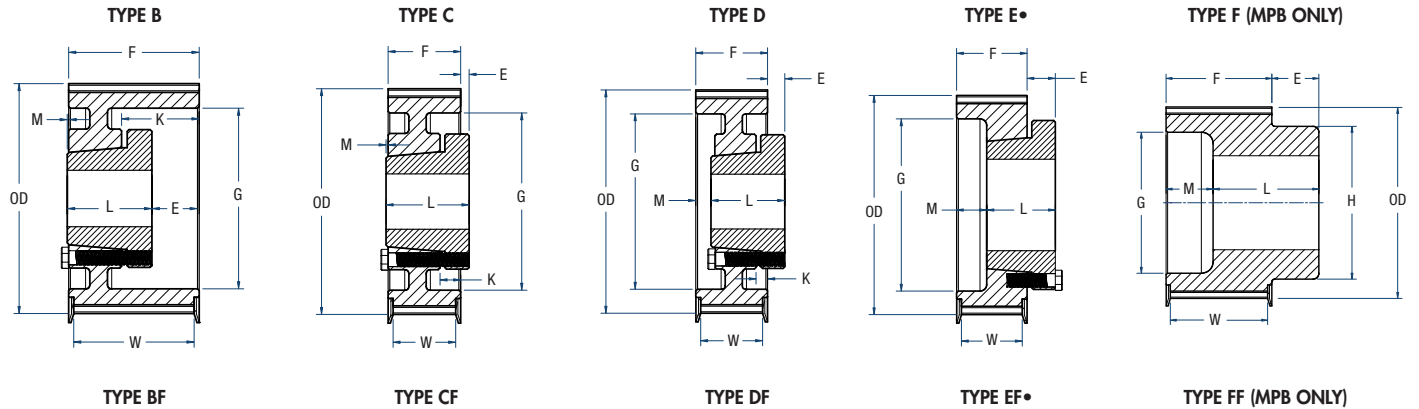
•Reverse mount only.

+The numbers (1=Solid, 2=Web, 3=Arms) within "Type" indicates construction, and the letter F indicates the pulley has flanges.

# HTD 5mm



## Timing Pulley 25mm Wide Belts



### 25mm (0.984 in) Wide Belts (5M-25)

No. of Teeth	Catalog Number	Bore	Pitch	Diameter (in)		Type+	Max Bore	Dimensions (in)								Approx. Weight* (lbs)
				O.D.	Flange			E	L	M	K	H	F	G	W	
32	P32-5M-25-MPB	1/2	2.005	1.960	2.16	F1F	0.88	0.50	1.34	—	—	1.55	0.84	—	0.65	0.84
34	P34-5M-25-MPB	1/2	2.130	2.085	2.29	F1F	1.00	0.50	1.34	—	—	1.68	0.84	—	0.65	0.93
36	P36-5M-25-MPB	1/2	2.256	2.211	2.41	F1F	1.12	0.50	1.34	—	—	1.80	0.84	—	0.65	1.03
38	P38-5M-25-JA	JA	2.381	2.336	2.54	E1F•	1.25	0.28	1.00	0.44	—	—	0.84	1.34	0.65	0.61
40	P40-5M-25-JA	JA	2.506	2.461	2.66	E1F•	1.25	0.28	1.00	0.44	—	—	0.84	1.34	0.65	0.72
44	P44-5M-25-JA	JA	2.757	2.712	2.91	E1F•	1.25	0.28	1.00	0.44	—	—	0.84	1.34	0.65	0.95
48	P48-5M-25-JA	JA	3.008	2.963	3.16	C1F	1.25	0.16	1.00	0.00	0.28	—	0.84	2.36	0.65	0.97
52	P52-5M-25-JA	JA	3.258	3.213	3.41	C1F	1.25	0.16	1.00	0.00	0.28	—	0.84	2.62	0.65	1.17
56	P56-5M-25-SH	SH	3.509	3.464	3.66	D1F	1.68	0.50	1.25	0.09	0.00	—	0.84	—	0.65	1.37
60	P60-5M-25-SH	SH	3.760	3.715	3.92	D1F	1.68	0.50	1.25	0.09	0.00	—	0.84	—	0.65	1.68
64	P64-5M-25-SH	SH	4.010	3.965	4.16	D1F	1.68	0.50	1.25	0.09	0.00	—	0.84	—	0.65	1.80
68	P68-5M-25-SDS	SDS	4.261	4.216	4.41	C1F	2.00	0.47	1.31	0.00	0.09	—	0.84	3.50	0.65	2.10
72	P72-5M-25-SDS	SDS	4.511	4.466	4.66	C1F	2.00	0.47	1.31	0.00	0.09	—	0.84	3.75	0.65	2.43
80	P80-5M-25-SDS	SDS	5.013	4.968	—	C1	2.00	0.47	1.31	0.00	0.09	—	0.84	4.25	0.65	3.15
90	P90-5M-25-SDS	SDS	5.639	5.594	—	C1	2.00	0.47	1.31	0.00	0.09	—	0.84	4.88	0.65	4.17
112	P112-5M-25-SDS	SDS	7.018	6.973	—	C1	2.00	0.47	1.31	0.00	0.09	—	0.84	6.05	0.65	5.16

\*Weight shown is for sprocket less bushing.

•Reverse mount only.

+The numbers (1=Solid, 2=Web, 3=Arms) within "Type" indicates construction, and the letter F indicates the pulley has flanges.